

- Less than 450 grams weight
- Simple setup with autopilot systems
- Low profile geometry
- Air-damped vibration isolators
- Less than 1 second retraction time
- Over-current protection
- Low power requirements

# GR-01 GIMBAL RETRACTION MECHANISM



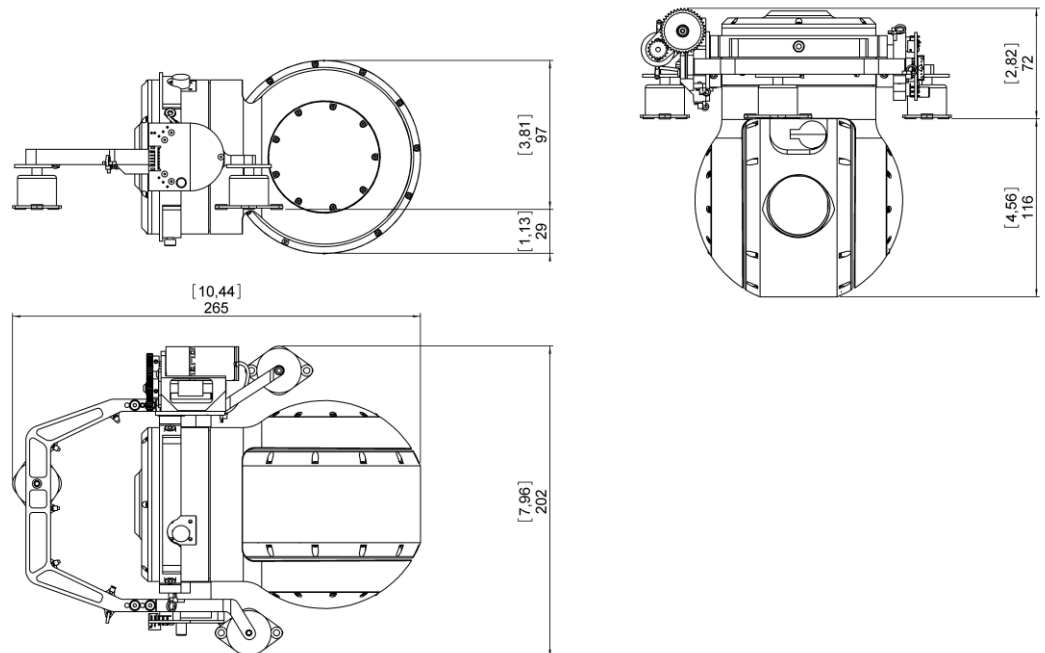
The GR-01 gimbal retract mechanism is specifically designed for OTUS U135 gyro-stabilized gimbals from DST CONTROLAB ([www.dst.se](http://www.dst.se)).

The GR-01 gimbal retract design is optimized for high accelerations during aircraft catapult takeoff and parachute landing. The gimbal retract is feather-light at less than 450 grams weight and is capable of withstanding over 20 g vertical acceleration in stowed configuration.

The flexible control options allow simple retract mechanism integration with any unmanned aircraft autopilot system. Gimbal retract can be also operated by switch circuit for manned operations or lab testing purposes.

Unit can be optionally equipped with air-damped isolators for best vibration isolation performance.

## Dimensions:



### Specifications:

Parameter	Value
Input Voltage	10 - 14 V
Power consumption	7W during actuation, 0.6W when deployed/retracted
Weight	< 450 grams
Retraction time	< 1 second
Control method	CAN / PWM / discrete input
Safety features	Over-current protection Up/down position status indication

### Quick setup kit:

For convenient lab setup, UAV Factory offers a Quick Setup Kit. Kit includes hand controller and gimbal stand. The hand controller offers plug and play operation of the retract mechanism. The stand offers simple access to retract mechanism and U-135 gimbal's electrical connections.

The Quick Setup Kit is useful during gimbal system integration process into the airframe.

