

TWO-AXIS Gyro Stabilised Midi-gimbal

OTUS-U230M

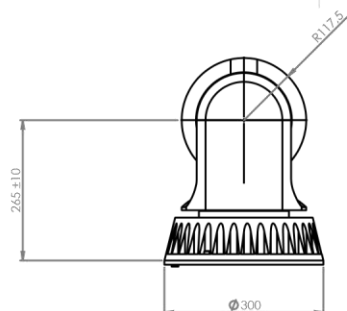


OTUS-U230M sets a new standard for miniature gyro-stabilised camera system. In addition to the stability offered by the field-proven in-house designed high band-width torque motors, the new OTUS-U230M gimbal offers improved environmental protection. It is tested against MIL STD-810G to ensure reliable operation on a wide range of platforms.

The system supports NMEA0183 communication. The built-in IMU and an optional laser range finder provides for advanced features like geo-location and geo-positioning with good accuracy. Built-in is also video tracking to lock and follow objects in the camera's view.

Multi-sensor Maritime Camera System

The thermal imager features continuous zoom allowing you to see beyond the visual range to pinpoint distant potential obstacles or magnify small objects for easy identification. OTUS-U230M is also equipped with a high-definition colour camera with lowlight imaging. The video camera allows positive identification of other vessels, navigation assistance, and obstacle avoidance. It provides a complete, broad marine picture and assesses situations from a safe distance.



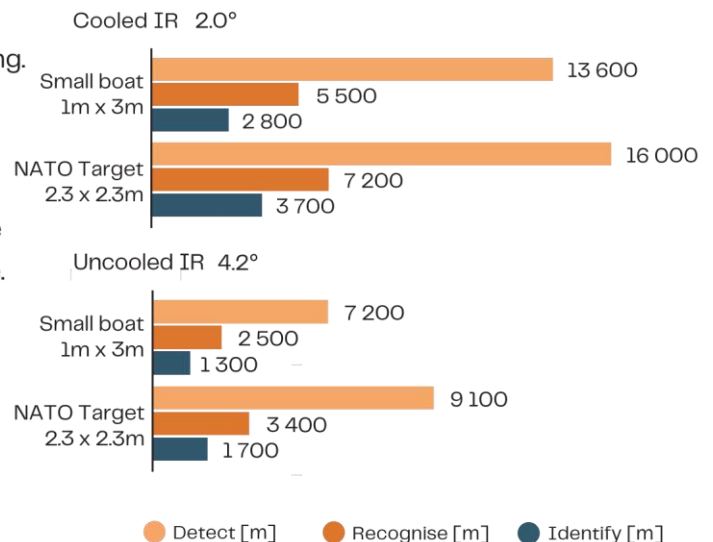
KEY PROPERTIES



BASIC INFORMATION

Axes	2
Field of regard	360° x N (continuous)
Sealing	IP66
Test Standard	MIL STD-810G
Weight	8 kg
Power Requirements	22-30 Vdc, 40W (typical)
EO Camera	Full HD Global shutter, FOV 2 - 52.6°
IR Camera	Cooled MWIR, FOV 1.6 - 24° Uncooled LWIR, FOV 4.2 - 16.8° or 8°
Control Interface	Ethernet, Onvif
Video Interface	Ethernet H.264 or H.265
LRF Range	12 km
Ambient Temperature	-32 to +55°C Operational
Features	NMEA0183 com., Target tracker, KLV support, onboard recording

RANGE CHARTS





OTUS-230M